

THS 42
Art. 2179

- | | |
|-----------|---|
| D | Gebrauchsanweisung
Accu-Teleskop-Heckenschere |
| GB | Operating Instructions
Accu Telescopic Hedge Trimmer |
| F | Mode d'emploi
Taille-haies télescopique |
| NL | Gebruiksaanwijzing
Accu telescoop-heggenschaar |
| S | Bruksanvisning
Accu Teleskopisk Häcksax |
| I | Istruzioni per l'uso
Tagliasiepi telescopica a batteria |
| E | Manual de instrucciones
Recortasetos telescópico con acumulador |
| P | Instruções de utilização
Tesoura de sebes telescópica com accu |

D

Bitte lesen Sie diese Gebrauchsanweisung vor Montage und Inbetriebnahme Ihres Gerätes sorgfältig. Beim Lesen der Gebrauchsanweisung bitte die Umschlagseiten herausklappen.

Inhaltsverzeichnis	Seite
1. Technische Daten	7
2. Hinweise zur Gebrauchsanweisung	7
3. Einführung	7
4. Ordnungsgemäßer Gebrauch	7
5. Montage und Einstellung der Arbeitsposition	8
6. Inbetriebnahme	8
7. Wartung, Pflege und Aufbewahrung	9
8. Behebung von Störungen	9
9. Hinweise zur ordnungsgemäßen Benutzung, Sicherheitshinweise	10
Garantie	46

GB

Please read these operating instructions carefully before assembling and using your Hedge Trimmer. Unfold inside cover pages to read the operating instructions.

Contents	Page
1. Technical data	12
2. Notes on operating instructions	12
3. Introduction	12
4. Proper use	12
5. Assembly / setting the working position	13
6. Operation	13
7. Maintenance, care, storage	14
8. Rectification of faults	14
9. Advice for proper use / safety instructions	15
Guarantee	46

F

Nous vous remercions de bien vouloir lire attentivement ce mode d'emploi avant d'utiliser votre taille-haies. Dépliez le 2ème volet de la couverture pour avoir les illustrations sous les yeux pendant la lecture du mode d'emploi.

Contenu	Page
1. Caractéristiques techniques	17
2. Informations sur le mode d'emploi	17
3. Quelques mots sur accu-system V12	17
4. Domaine d'utilisation	17
5. Montage / Réglage de la position de travail	18
6. Utilisation	19
7. Entretien et rangement	19

8. Incidents de fonctionnement	19
9. Précautions d'emploi et conseils de sécurité	20
Garantie	46

NL

Lees deze gebruiksaanwijzing voor montage en ingebruikname van het apparaat zorgvuldig door. Bij het lezen van de gebruiksaanwijzing de bladzijden met de afbeeldingen openslaan.

Inhoudsopgave	Pagina
1. Technische gegevens	22
2. Aanwijzingen bij de gebruiksaanwijzing	22
3. Inleiding	22
4. Juiste gebruik	22
5. Montage / Instelling van de werkpositie	23
6. Ingebruikname	23
7. Verzorging, onderhoud en opslag	24
8. Opheffen van storingen	24
9. Aanwijzingen voor het juiste gebruik, veiligheidstips	25
Garantie	46

S

Läs omsorgsfullt igenom bruksanvisningen och säkerhetsföreskrifterna innan Du tar Teleskopisk Häcksax i bruk. Ha omslaget utvikt när Du läser bruksanvisningen.

Innehåll	Sida
1. Tekniska data	27
2. Viktig information	27
3. Introduktion	27
4. Avsedd användning	27
5. Montering / inställning av arbetsposition	28
6. Användning	28
7. Underhåll, förvaring och service	29
8. Felsökning	29
9. Säkerhetsföreskrifter	29
Garanti	47

I

Prima di montare e mettere in uso l'attrezzo, leggere attentamente le istruzioni tenendo aperto il pieghevole per avere sott'occhio i disegni esplicativi.

Indice	Pagina
1. Dati tecnici	31
2. Avvertenze	31
3. Note introduttive	31
4. Uso corretto	31
5. Montaggio / Posizioni di lavoro	32
6. Messa in uso	32

7. Manutenzione	33
8. Anomali di funzionamento	33
9. Norme d'uso e di sicurezza	34
Garanzia	47

E

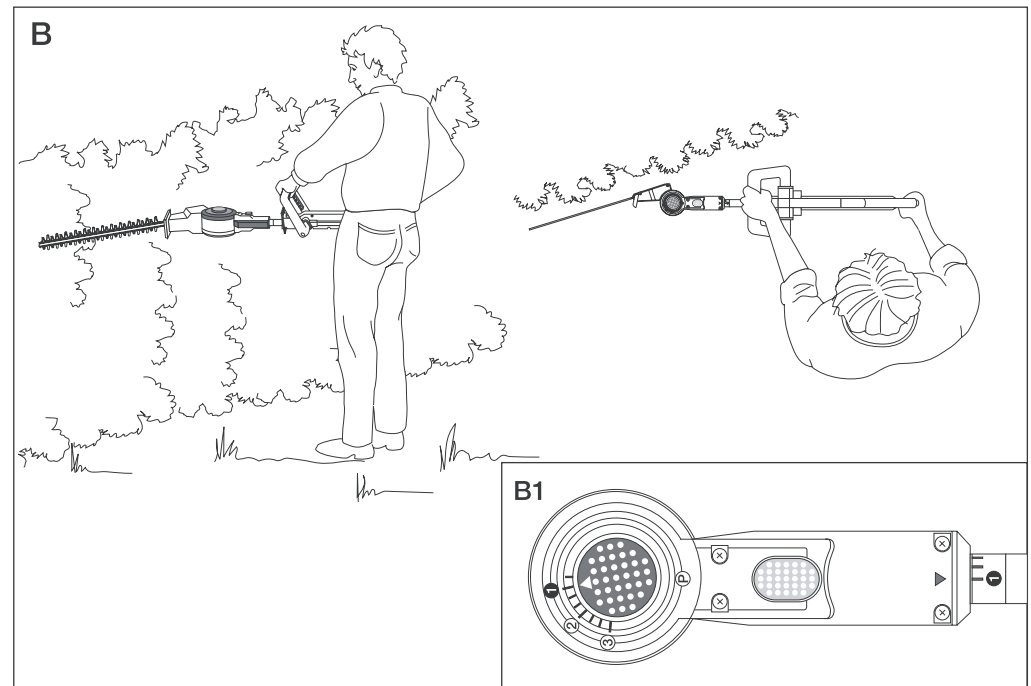
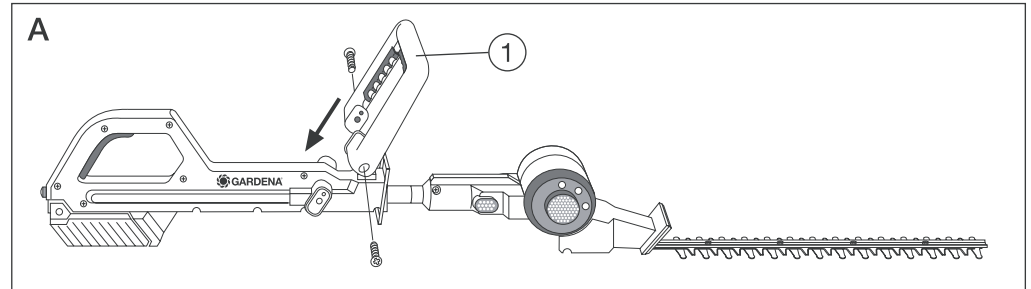
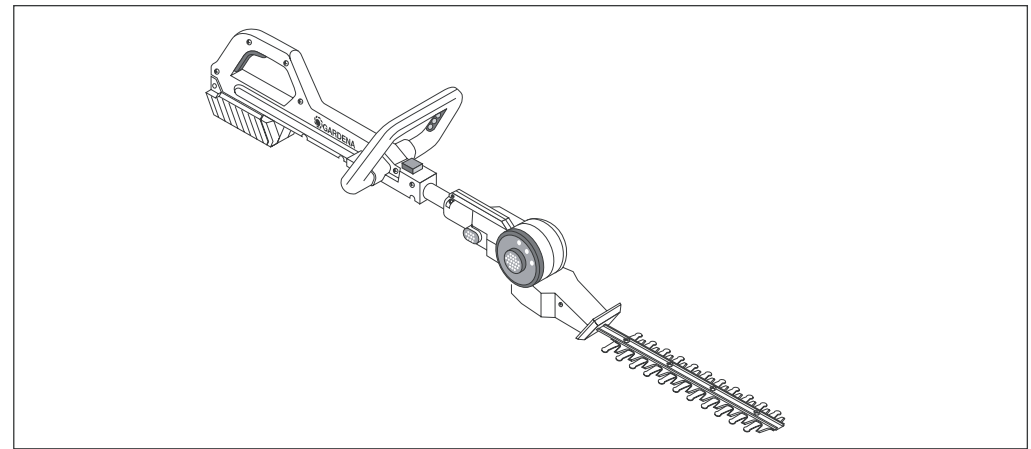
Antes del montaje y de la puesta en marcha del aparato, aconsejamos una atenta lectura del presente manual de instrucciones. Para facilitar la lectura, desdoble la cubierta.

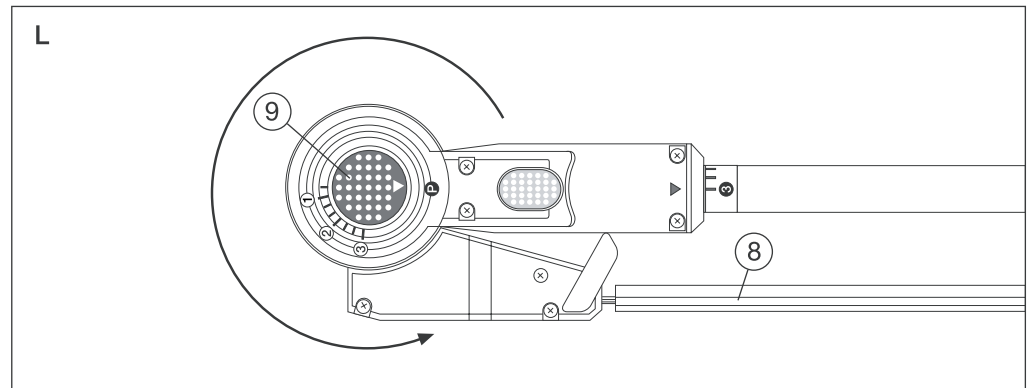
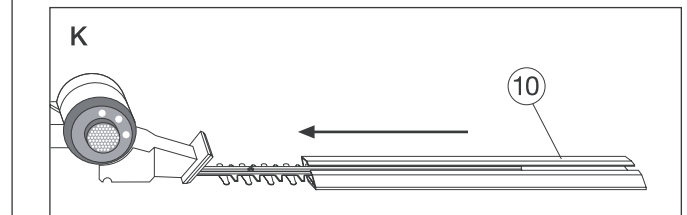
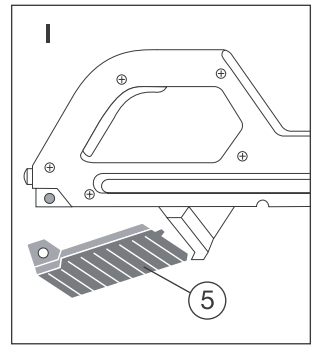
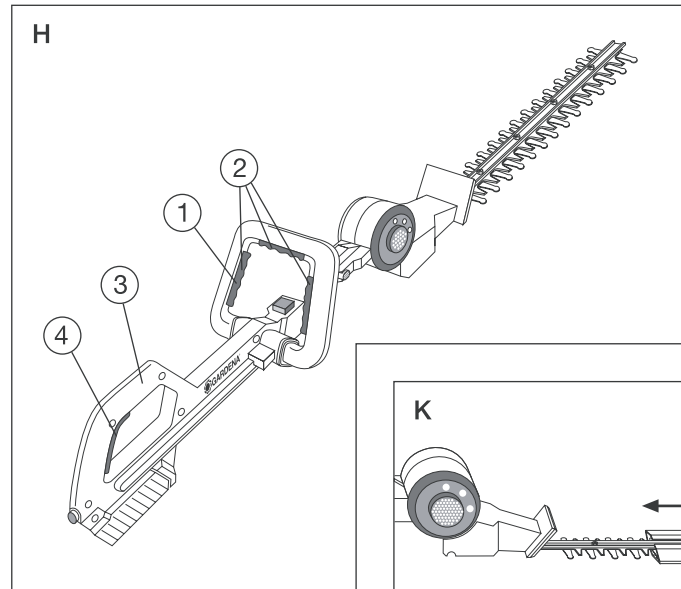
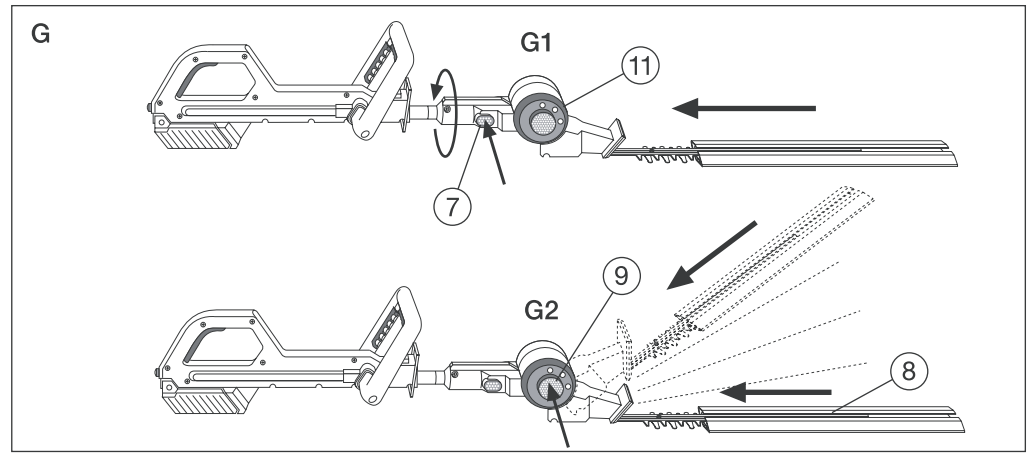
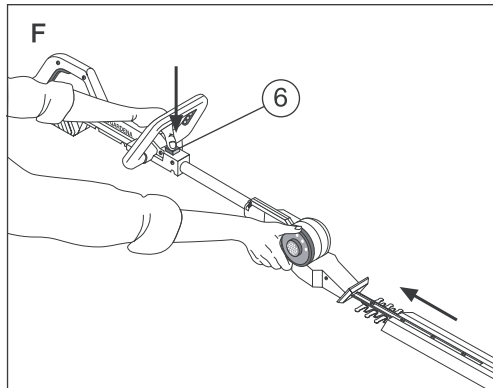
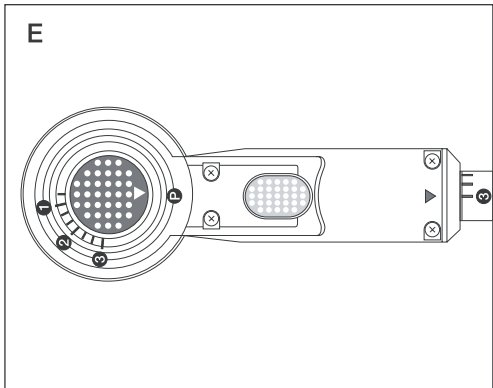
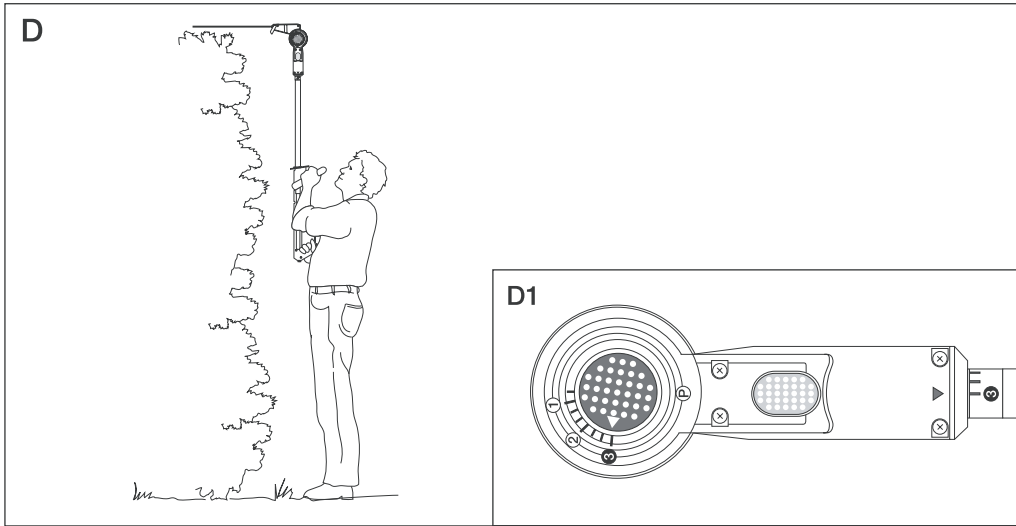
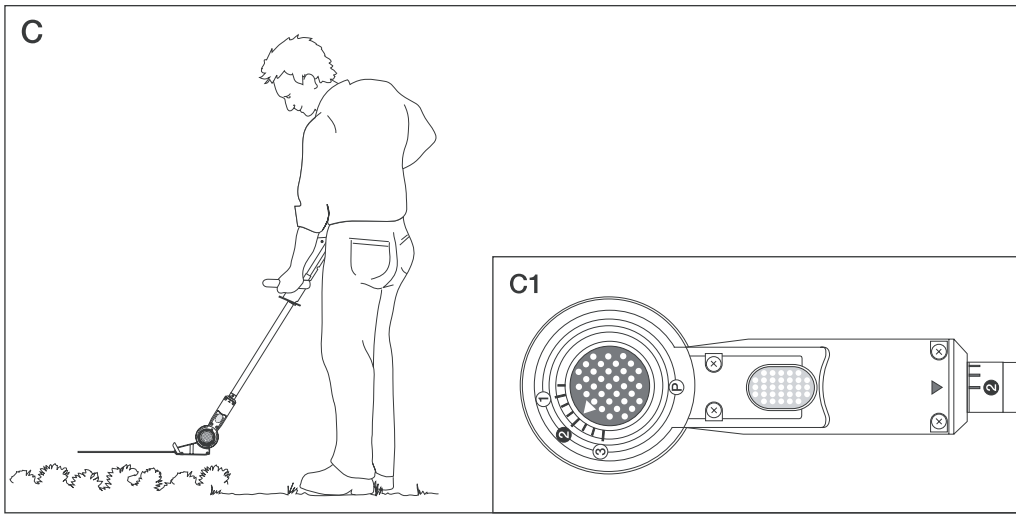
Índice	Página
1. Datos técnicos	36
2. Indicaciones al manual de instrucciones	36
3. Introducción	36
4. Uso correcto	36
5. Montaje / Ajuste de la posición de trabajo	37
6. Puesta en servicio	37
7. Mantenimiento, cuidados y almacenamiento	38
8. Averías	38
9. Indicaciones para el uso adecuado / indicaciones de seguridad	39
Garantía	47

P

Por favor leia atentamente estas instruções de utilização antes de montar e utilizar esta Tesoura de sebes. Desdobre as páginas na capa interior para ler as instruções de utilização.

Conteúdo	Página
1. Dados técnicos	41
2. Observações sobre as Instruções de utilização	41
3. Introdução	41
4. Utilização correcta	41
5. Montagem / ajuste da posição de trabalho	42
6. Colocação em funcionamento e armazenamento	42
7. Manutenção, conservação e armazenamento	43
8. Falhas	43
9. Considerações sobre o uso correcto do aparelho, regras de segurança	44
Garantia	47





Beachten Sie die Sicherheitshinweise auf dem Gerät:
Please comply with the following safety instructions on the casing:
Veuillez observer les instructions de sécurité figurant sur l'appareil :
Houdt u zich aan de veiligheidsvoorschriften op het apparaat:
Följ bruksanvisningarna noga:
Attenzione ai simboli di sicurezza riportati sull'attrezzo:
Observen las indicaciones de seguridad en el aparato:
Por favor siga atentamente as instruções de segurança fornecidas no aparelho:



**Achtung! Vor Inbetriebnahme
Gebrauchsanweisung lesen!**
**Warning! Read instruction
handbook!**
**Attention ! Merci de lire atten-
tivement le mode d'emploi avant
d'utiliser cet appareil.**
**Let op! Voor ingebruikname
de gebruiksaanwijzing lezen!**
**Varning! Läs igenom bruks-
anvisningarna före användning.**

**Attenzione! Prima di mettere
in funzione l'attrezzo, leggere
attentamente le istruzioni per
l'uso!**
**¡Atención! Antes de la puesta
en marcha, lea el manual de
instrucciones.**
**Atenção! Leia atentamente este
manual de instruções antes de
usar o aparelho.**



Vor Regen und Nässe schützen!
**Do not use in rain or wet
conditions!**
**Protégez l'appareil de la pluie
et de l'humidité !**
Niet aan vocht blootstellen!
**Använd inte maskinen i regn
eller fuktig miljö!**

**Proteggere l'attrezzo da pioggia
e umidità!**
**¡Proteja el aparato de la lluvia
y la humedad!**
**Proteja o aparelho da chuva
e da humidade!**

GARDENA Accu Telescopic Hedge Trimmer THS 42

1. Technical data

Voltage	12 V ---
Rated current (idling)	2 A
Strokes	2,100/min
Blade length	42 cm
Telescopic extension range	0 - 31 cm
Running time with Accu A 12	25 - 35 min
Weight (without Accu)	3.2 kg

Working area related emission characteristic value $L_{PA}^{1)}$	73 dB (A)
Noise level $L_{WA}^{2)}$	92 dB (A)
Vibrations $a_{vhw}^{1)}$	< 2.5 dB (A)

Measuring method according to
1) EN 774 2) directive 2000/14/EC

2. Notes on operating instructions

Please read these operating instructions carefully and observe the notes given. Use the instructions to familiarise yourself with the equipment, the

operating controls, their correct use, and the notes on safety.

! For safety reasons, children under 16 as well as persons not familiar with these

operating instructions should not use this Telescopic Hedge Trimmer.

Keep these operating instructions in a safe place.

3. Introduction

This Hedge Trimmer is one of the tools in the extensive range of **accu-system V12** equipment from GARDENA.

Please use the following articles from the accu-system V12 programme to operate this tool:

1. Accu A 12 (Art. No. 2109) **as the energy supply / battery** for the accu-system V12.
2. Battery Charger NL 12 (Art. No. 2105) **as the charger** for the accu-system V12.
Alternatively, the Accu-Pack AP 12 (Art.-No. 2110) can be used as the energy supply.

This can be recharged using the Battery Charger NL 12 or by the High-speed Battery Charger SL 60 which is available as an alternative. **Important! The High-speed Battery Charger SL 60 (Art. No. 2100) is designed only for charging the Accu-Pack AP 12 (Art. No. 2110).**

4. Proper use

The GARDENA Accu Telescopic Hedge Trimmer is designed for trimming hedges in domestic gardens and allotments.

Gardening tools for private households and gardens are considered unsuitable for use in public grounds, parks, sports centres, in agriculture or forestry.

Compliance with the instructions provided by the manufacturer is a prerequisite for using the tool correctly. The operating instructions also include the conditions for operation, repair and maintenance.

! Attention! Because of the danger of physical injuries, this tool must not be used for cutting lawns / grass verges, or for cutting in the sense of shredding for composting.

5. Assembly / setting the working position

5.1 Assembly of the guide handle (fig. A)

The three-position guide handle ① is mounted onto the unit and secured with 2 screws. (Captive screws integrated in the handle.)

5.2 Basic working position settings (fig. B-E)

The Telescopic Hedge Trimmer has three basic settings. These are marked ① to ③ on the blade head and the handle:

① Trimming hedges **from the side** at a distance from the standing position, eg. to reach over flower beds (fig. B/B 1).

Note:
Telescopic handle retracted.

② For trimming **extremely low hedges**, or eg. ground blankets, while standing upright (fig. C/C 1).

Note: Telescopic handle extended to the appropriate length for upright working.

③ For trimming **high hedges** up to approx. 2.5 m from the ground without the need for a ladder or scaffolding (fig. D/D 1).

Note: Telescopic handle extended to the appropriate length. Control of the Telescopic Hedge Trimmer is within arm's reach for easier handling (fig. D).

5.3 Setting a working position

! Attention! The accu must be disconnected from the tool and the cutting blade sheath should remain in position when setting the working position!

Never take hold of the cutting blade to turn the blade head or to extend the telescopic handle!

Note: The **cutting blade** has a total of 8 working positions (12° increments from 0°/horizontal to 84° elevation).

Adjustment to any of the 5 intermediate settings for the 3 working positions described above is made in the same manner. The positions ① ② or ③ described above are recommended for straight forward handling. **Important! Always ensure that the selected position snaps in correctly. Danger of injury!**

Select one of the basic working positions ① ② or ③ according to the description section 5.2 and referring to figure E, adjust the Telescopic Hedge Trimmer as follows (fig. D/F/G):

1. (Fig. F) Adjust the length of the **telescopic handle** by pressing and holding the adjusting button ⑥ while extending the telescopic handle to

the desired working length (fig. F). The length of the telescopic handle can be extended by max. 310 mm.

2. (Fig. G 1) Press and hold the oval pimpled button ⑦ while turning the trimmer head ⑪ in the axial direction into one of the working positions ① ② or ③ for example into position ③ for trimming the top of a high hedge (arrow must point to the position number – see figure D 1).

Note: The **trimmer head** can be set to one of 7 axial positions between 0° and 180° at increments of 30°.

3. (Fig. G 2) Adjust the **cutting angle for the trimmer blade** by pressing and holding the round adjusting button ⑨ while adjusting the position of the trimmer blade ⑧ for working as required. (Our example: position ④. Arrow must point to the position number – see figure D 1).
- Note: All 3 working positions for selection can be set in this way.

The working position has been correctly set when the position number indicates the selected position (see example figure D 1).

6. Operation (fig. H/I)

Insert the accu ⑤ in the receptacle as illustrated in figure I. Ensure that the accu snaps in correctly. Pay attention that this audibly "clicks" into position.

The accu is released from the tool by simultaneously pressing both of the orange coloured locking buttons.

The Hedge Trimmer is fitted with a two-hand safety switch to pre-


vent the tool being turned on by accident. Thus both hands are required to operate the Hedge Trimmer (fig. H):

1. Hold by the 3-point guide handle ① and press one of the three button switches ②.
2. Hold the grip ③ with the other hand and depress the button switch ④. The Hedge Trimmer will then start to run.

Simply release either of these switches in order to stop the trimmer.

In accordance with safety regulations, an additional safety device ensures that the blade motion stops within 1 sec.

The projecting guide (impact protection) prevents any kick-back if the trimmer hits a solid object.

 The safety devices installed by the manufacturer must not be removed and/or bypassed, eg. by tying down a switch in the handle.


Never use a tool which is not complete or which has been modified from its original design.

To avoid unintentional start, never carry the Telescopic Hedge Trimmer at its button switches ②.

7. Maintenance, care, storage

7.1 Maintenance and care

Repairs must only be carried out by GARDENA Service Centres, or dealers authorised by GARDENA.

 The accu must be released from the tool for cleaning and performing maintenance work, as well as for storage of the tool.

The Hedge Trimmer blades should be cleaned after each use and lubricated with an oil of low viscosity (e.g. spray-oil).

Never clean the tool with running water, in particular a high pressure water jet.


7.2 Safe storage (fig. K/L)

Proceed as follows for safe storage, protection of the trimmer blades, as well as to transport the Hedge Trimmer safely:

- Slide the blade sheath supplied ⑩ over the cutting blade ⑧ of the Telescopic Hedge Trimmer (fig. K).
- Return the telescopic handle / grip to the preferred position ③ as shown in figure L (arrow must point to the position number).
- Press and hold the adjusting button ⑥ while retracting the **telescopic handle** to its limiting stop (fig. F).

- Press and hold the round adjusting button ④ while folding down the trimming blade ⑧ into the parking position P (fig. L) – arrow must point to P.

Please store the Hedge Trimmer in a dry frost free place out of the reach of children.

 **Inspect the cutting devices at regular intervals for damage. Ensure that all damage is properly repaired immediately.**

Accessory supplied:
Blade Guard (Sheath)

We expressly point out that, in accordance with the product liability law, we are not liable for any damage caused by our units if it is due to improper repair or if parts exchanged are not original GARDENA parts or parts approved by us, and, if the repairs were not carried out by a GARDENA Service Centre or an authorised specialist. The same applies to spare parts and accessories.

- Check that the Accu A 12, or the Accu-Pack AP 12, is fully charged and ready for operation.

If you have any problem with your Hedge Trimmer, please contact our Customer Service or return the defective unit together with a short description of the problem and, if covered under guarantee, with a copy of the receipt, directly to one of the GARDENA Service Centres listed on the back of this leaflet.


8. Rectification of faults


Tool does not start:

- Check that there is proper contact between the Accu A 12 (Art. No. 2109), or the Accu-Pack AP 12 (Art.-No. 2110), and the Hedge Trimmer.
- Check that the contacts of the Accu A 12, or the Accu-Pack AP 12, and the contacts of the Hedge Trimmer are clean and hence conductive. Clean off any dirt using a clean cloth.

9. Advice for proper use / Safety instructions

Attention! To avoid injuries, risk of fire and leaking batteries (accus), special attention must be given to the following accu-driven Hedge Trimmer safety instructions.

 **This accu-system V12 unit must only be operated with the above mentioned power supply units (Accu A 12, Art. No. 2109, or Accu-Pack AP 12, Art. No. 2110).**

 **Checks before each operation**

Inspect the unit before each use. Do not use the Hedge Trimmer, if safety devices (two-hand switch, blade stop, impact protection) and/or the blades are damaged or worn. Never bypass safety devices.

Inspect the area to be cut before and during work. Remove any foreign objects.

If, in spite of care, there is an obstruction when cutting, turn off the Hedge Trimmer and remove it.

 **Use/Responsibility**

This Hedge Trimmer can cause serious injuries!

Use the unit only for the purposes specified in these operating instructions.

Do not overload the Telescopic Hedge Trimmer – to work better and safer do not exceed the given power consumption.

Keep the guide-handle dry and free from oil and grease.

Concentrate and work with care. You are responsible for safety in the area of work. Keep the area of work tidy. Untidiness in the area of work can cause accidents.

Make sure that there are no other people (especially children) or animals anywhere near the working area.

Do not wear loose clothes, jewellery, etc. They could get caught in the trimmer. Wear sturdy working shoes, gloves and an eye protection. Wear long trousers to protect your legs.

Ensure you have a secure foothold during operation of the machine, especially when using steps. Attention! Take extra care when walking backwards. You may stumble.

Keep the motor casing and ventilation free from obstructions, leaves and other similar things.

Do not use the Hedge Trimmer in the vicinity of flammable liquids and gases.

If the blades get jammed, please switch off the unit and remove the object (thick branch, foreign body).

Only work when visibility is good.

 **Interrupting work**

Never leave the Hedge Trimmer unattended in the working place. If you stop work, store the Hedge Trimmer in a safe place. Remove the accu from the unit!

Should you stop work in order to get to another working place, always switch off the Hedge Trimmer to go there. Remove the accu from the unit!


Always attach the blade protection for transport and storage of the unit.

 **Work place safety**

Make yourself familiar with the surroundings and look out for dangers which you may not detect due to machinery noise.

Never use the unit when it rains or in damp/wet areas.

Do not operate the Hedge Trimmer in or near swimming pools and garden ponds.

 **Electrical safety / Fire risk**

The contacts of the Accu should never be bridged. Short circuit – fire risk!

EU Certificate of Conformity

The undersigned

GARDENA Kress + Kastner GmbH · Hans-Lorenser-Str. 40 · D-89079 Ulm

hereby certifies that, when leaving our factory, the unit indicated below is in accordance with the harmonised EU guidelines, EU standards of safety and product specific standards.

This certificate becomes void if the unit is modified without our approval.

Description of the unit:

accu-system V12
Telescopic Hedge Trimmer

Type: THS 42

Art. No.: 2179

EU directives:

Machinery Directive 98/37/EC
Electromagnetic Compatibility
89/336/EC
Directive 93/68/EC
Directive 2000/14/EC

Harmonised

European standards:
EN 774
EN 50144-1 and 2-15

Noise level:

measured: 92 dB (A)
guaranteed: 94 dB (A)

Year of CE marking:

1997

Ulm, 08.02.2002



Thomas Heintl
Technical Dept. Manager

D

Garantie

GARDENA gewährt für dieses Produkt die gesetzliche Garantie (ab Kaufdatum). Diese Garantieleistung bezieht sich auf alle wesentlichen Mängel des Gerätes, die nachweislich auf Material- oder Fabrikationsfehler zurückzuführen sind. Sie erfolgt durch die Ersatzlieferung eines einwandfreien Gerätes oder durch die kostenlose Reparatur des eingesandten Gerätes nach unserer Wahl, wenn folgende Voraussetzungen gewährleistet sind:

- Das Gerät wurde sachgemäß und laut den Empfehlungen in der Gebrauchsanweisung behandelt.
- Es wurde weder vom Käufer noch von einem Dritten versucht, das Gerät zu reparieren.

Die Verschleißteile Messer und Exzenterantrieb sind von der Garantie ausgeschlossen.

Diese Hersteller-Garantie berührt die gegenüber dem Händler/Verkäufer bestehenden Gewährleistungsansprüche nicht.

Im Servicefall schicken Sie bitte das defekte Gerät zusammen mit einer Kopie des Kaufbelegs und einer Fehlerbeschreibung per Abhol-Service (nur in Deutschland) oder frankiert an die auf der Rückseite angegebene Serviceadresse.

GB

Guarantee

GARDENA honours the guarantee legally required for this product (starting from the date of purchase). This guarantee covers all serious defects of the unit that can be proved to be material or manufacturing faults. Under guarantee we will either replace the unit or repair it free of charge if following conditions apply:

- The unit must have been handled properly and in keep-

ing with the requirements of the operating instructions.

- Neither the purchaser or a non-authorised third party have attempted to repair the unit.

The blade and eccentric drive are wearing parts and are not covered by the guarantee.

This manufacturer's guarantee does not affect the user's existing warranty claims against the dealer/seller.

In case of claim, please return the faulty unit together with a copy of the receipt and a description of the fault, with postage paid to one of the GARDENA Service Centres listed on the back of these operating instructions.

F

Garantie

GARDENA accorde pour cet appareil la garantie légale à compter du jour de l'achat. Elle comprend le remplacement gratuit des pièces défectueuses ou de l'appareil, le choix en étant laissé à la libre initiative de GARDENA. En tout état de cause s'applique la garantie légale couvrant toutes les conséquences des défauts ou vices cachés (article 1641 et suivants du Code Civil).

Pour que ces garanties soient valables, les conditions suivantes doivent être remplies :

- L'appareil a été manipulé de manière adéquate, suivant les instructions du mode d'emploi.
- Il n'y a eu aucun essai de réparation, ni par le client, ni par un tiers.

La lame et l'entraînement à excentrique sont des pièces d'usure et sont par conséquent exclus de la garantie.

Une intervention sous garantie ne prolonge pas la durée initiale de la garantie contractuelle.

Toutes les revendications dépassant le contenu de ce texte ne sont pas couvertes par la garantie, quel que soit le motif de droit.

Pendant la période de garantie, le Service Après-Vente et les Centres SAV agréés effectueront, à titre payant, les réparations nécessaires par suite de manipulations erronées.

La garantie ne s'applique pas aux pièces d'usure normale (les lames par exemple).

NL

Garantie

GARDENA geeft op dit product de wettelijke garantie (vanaf de aankoopdatum). Deze garantie heeft betrekking op alle wezenlijke defecten aan het toestel, die aanwijsbaar op materiaal- of fabricagefouten berusten. Garantie vindt plaats door de levering van een vervangend apparaat of door de gratis reparatie van het ingestuurde apparaat, naar onze keuze, indien aan de volgende voorwaarden is voldaan:

- Het apparaat werd vakkundig en volgens de adviezen in de gebruiksaanwijzing behandeld.
- Noch de koper, noch een derde persoon heeft getracht het apparaat te repareren.

Het aan slijtage onderhevige mes en de excenteraandrijving vallen niet onder de garantie.

Deze garantie van de producent heeft geen betrekking op de ten aanzien van de handelaar/verkoper bestaande aansprakelijkheid.

In geval van reclamatie het defecte apparaat samen met de kassabon en een beschrijving van de storing gefrankeerd op naar het op de achterzijde aangegeven serviceadres opsturen.

Deutschland

GARDENA Kress + Kastner GmbH
GARDENA Service
Hans-Lorenser-Straße 40
D-89079 Ulm
Produktfragen: (07 31) 490-123
Reparaturen: (07 31) 490-290

Argentina

Argensem S.A.
Venezuela 1075
(1618) El Talar - Buenos Aires

Australia

NYLEX Corporation Ltd.
25-29 Nepean Highway
P.O. Box 68
Mentone, Victoria 3194

Austria

GARDENA Österreich Ges. m.b.H.
Stettnerweg 11-15
2100 Korneuburg

Belgium

MARKT (Belgium) NV/SA
Sterrebeekstraat 163
1930 Zaventem

Brazil

M. Cassab
Av. das Nações Unidas, 20.882
Santo Amaro, CEP 04795-000
São Paulo - S.P.

Bulgaria / България

ДЕНЕКС ООД
бул. „Черни връх“ 43
София 1407

Canada

GARDENA Canada Ltd.
100, Summerlea Road
Brampton, Ontario
Canada L6T 4X3

Chile

Antonio Martinic Y CIA. LTDA.
Gilberto Fuenzalida 185 Loc.
Las Condes - Santiago de Chile

Costa Rica

Compania Exim
Euroiberoamericana S.A.
350 Sur del Automercado
Los Yoses
San Pedro

Cyprus

FARMOKIPIKI LTD
P.O. Box 7098
74, Digeni Akrita Ave.
1641 Nicosia

Czech Republic

GARDENA spol. s.r.o.
Řípská 20
62700 Brno

Denmark

GARDENA Danmark A/S
Naverland 8
2600 Glostrup

Finland

Habitec Oy
Martinkyläntie 52
01720 Vantaa

France

GARDENA France
Service Après-Vente
BP 50080
95948 ROISSY CDG Cedex

Great Britain

GARDENA UK Ltd.
27-28 Brenkley Way
Blezard Business Park
Seaton Burn
Newcastle upon Tyne
NE13 6DS

Greece

Agrokip G. Psomadopoulos & Co.
20, Lykourgou str.
Kallithea - Athens

Hungary

GARDENA Magyarország Kft.
Késmárk utca 22
1158 Budapest

Iceland

Heimilistaeki hf
Saetun 8
P.O. Box 5340
125 Reykjavik

Republic of Ireland

Michael McLoughlin & Sons
Hardware Limited
Long Mile Road
Dublin 12

Italy

GARDENA Italia S.r.l.
Via Donizetti 22
20020 Lainate (Mi)

Japan

KAKUDAI Mfg. Co. Ltd.
1-4-4, Itachibori Nishi-ku
Osaka 550

Luxembourg

Magasins Jules Neuberg
Grand Rue 30
Case Postale No. 12
Luxembourg 2010

Netherlands

GARDENA Nederland B.V.
Postbus 50176
1305 AD ALMERE

Neth. Antilles

Jonka Enterprises N.V.
Sta. Rosa Weg 196
P.O. Box 8200
Curaçao

New Zealand

NYLEX New Zealand Limited
Private Bag 94001
South Auckland Mail Centre
10 Offenhauser Drive
East Tamaki, Manukau

Norway

GARDENA Norge A/S
Postboks 214
2013 Skjetten

Poland

GARDENA Polska Sp. z o.o.
Szymanów 9 d
05-532 Baniocha

Portugal

MARKT (Portugal), Lda.
Recta da Granja do Marquês
Edif. GARDENA
Algueirão
2725-596 Mem Martins

Russia / Россия

АО АМИДА ТТЦ
ул. Мосфильмовская 66
117330 Москва

Singapore

Variware
Holland Road Shopping Centre
227-A 1st Fl., Unit 29
Holland Avenue
Singapore 1027

Slovenia / Croatia

Silk d.o.o. Trgovina
Brodišče 15
1236 Trzin

South Africa

GARDENA South Africa (Pty.) Ltd.
P.O. Box 11534
Vorna Valley 1686

Spain

ANMI Andreu y Miriam S.A.
Calle Pere IV, 111
08018 Barcelona

Sweden

GARDENA Svenska AB
Box 9003
20039 Malmö

Switzerland

GARDENA Kress + Kastner AG
Bitzberg 1
8184 Bachenbülach

Ukraine / Украина

АОЗТ АЛЬЦЕСТ
ул. Гайдара 50
г. Киев 01033

Turkey

Dost Diş Ticaret Mümessillik A.Ş.
Yeşilbağlar Mah. Başkent
Cad. No. 26
Pendik - İstanbul

USA

GARDENA
3085 Shawnee Drive
Winchester, VA 22604

2179-20.960.04/0021
GARDENA Kress + Kastner GmbH
Postfach 27 47, D-89070 Ulm
<http://www.gardena.com>